



CATALOGUE

2014

TTAAS-Condensate Pump



PRODUCT BROCHURE

TORONTECH
PUMPS

TORONTECH.COM



Torontech™ is a leading North American based international manufacturer and supplier of pumps, pipes, valves & actuators. The Torontech™ group has established an extensive network in the USA as well as international markets and remains to be a preferred vendor of choice supplying quality pumps for today's leading corporations.

Creating comprehensive solutions for our clients has always been the core value of our company. From sales, to order execution, and post-sales support; every staff member is here to assist you in selecting the solution that best suits your unique requirements and budget.

The Torontech™ group offers a complete range of quality pumps that are ANSI to ISO approved and engineered to last, ensuring your company continuous production without interruptions.

Since the beginning, we have succeeded in only offering quality manufactured pumps that are currently being used worldwide. We offer the best value for your investment and provide world-class support.

Due to the demand for our quality pumps, Torontech™ has experience explosive growth primarily in the oil & gas, water filtration and chemical refinery industries.

We offer an extensive range of solutions and products for oil & gas projects, refineries, petrochemical plants, and marine applications. Our main class of pumps includes API (American Petroleum Institute) Standard, Mining, Water & Sewage and Firefighting applications. The pumps are offered in various configurations depending on orientation of the pump, required head and type of fuel used for operation.

CONTENTS

Application	1
Construction	1
Bearing	1
Coupling	1
Shaft seal	1
Directions	2
Model meaning	2
Materials	2
Construction drawing	3
Performance curve	5
Performance table	6
Outing & installalling dimensions drawing	7
Outing & installalling dimensions table	8

TTAAS-Condensate Pump

Application

Type TTAAS-LDTN condensate pump are used for pumping water condensation from condensers of thermal (nuclear) plant, also can be used for pumping other media has similar characteristic to water. Its range of performance are as follows:

Construction

Type TTAAS- LDTN condensate pump are a vertical mult-stage columnar pump, suction and discharge nozzles are respectively arranged on the barrel and discharge seat and both can be altered to 180°, 90° or other degrees; the impeller is closed.

Bearing

The pump has water-lubrication bearings to bear radial thrust of rotor. Axial thrust of rotor is balanced by thrust bearing or motor.

Coupling

Pump rotor and line shaft are connected by cutting columnar coupling, pump rotor and motor shaft are connected by cylinder pin coupling.

Shaft seal

Shaft seal is soft-packing, the mechanical seal can be assembled according to special requirements.

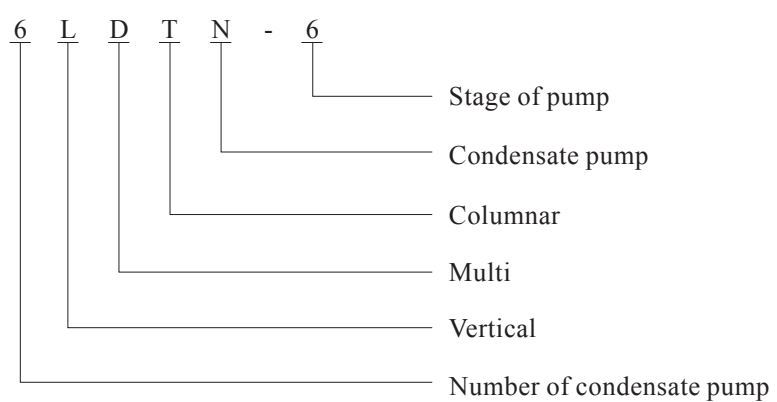


TTAAS-Condensate Pump

Directions

The rotating direction of pump are designed counter-clockwise when overlooking.

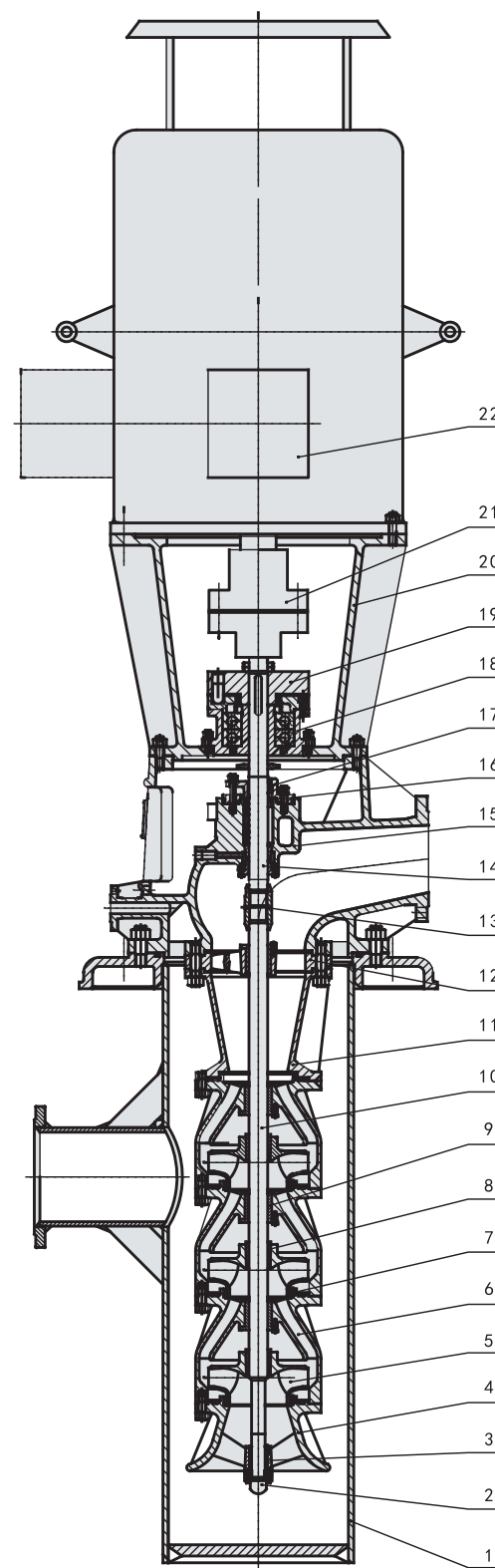
TTAAS-LDTN Model meaning



Materials

Impeller	ZG1Cr13
Diversion casing	HT250 or QT500-7
Bearred	High carbon steel or 1Cr18Ni9Ti
Redacer	HT250 or QT500-7
Pump shaft	40Cr or high carbon steel
Pump seat	HT250
Guide bearing	BBF6. P23

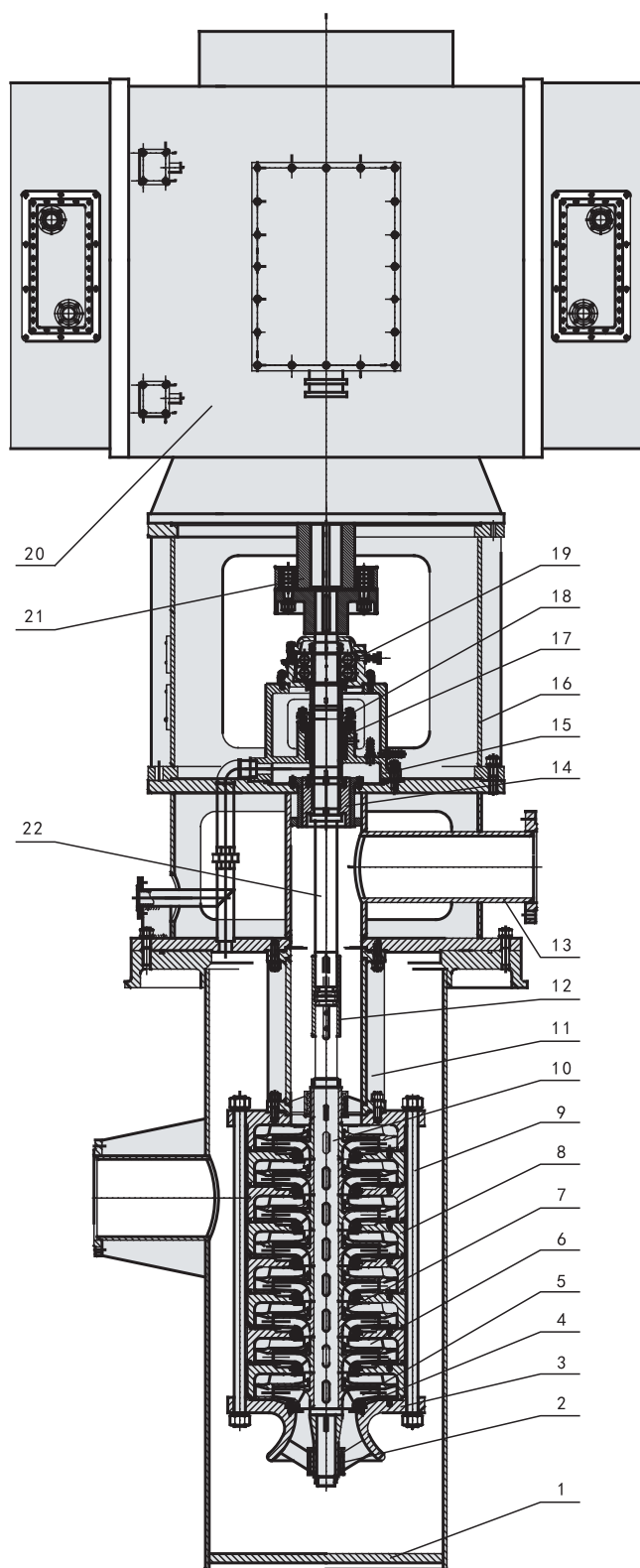
TTAAS-LDTN construction drawing(one)



1	Round barrel
2	Shaft tip nut
3	Lower bearing
4	Bearing body support
5	Impeller
6	Guide shell
7	Seal ring
8	Conical sleeve
9	Bearing bush
10	Pump shaft
11	Water-out pipe
12	Bearing body
13	Threaded clutch
14	Motor shaft
15	Pump foundation
16	Packing/mechanical seal
17	Packing cover/mechanical seal cover
18	Rolling bearing
19	Anti-reversal device
20	Motor stand
21	Elastic clutch
22	Motor



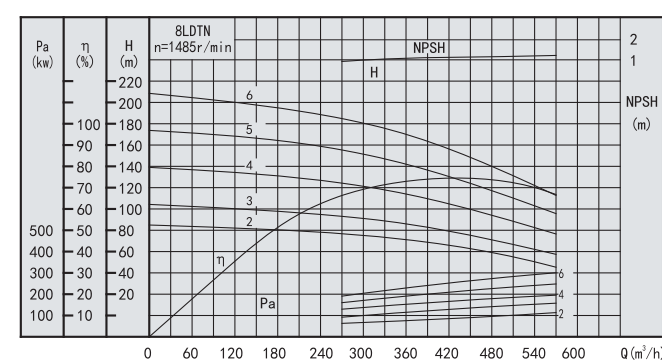
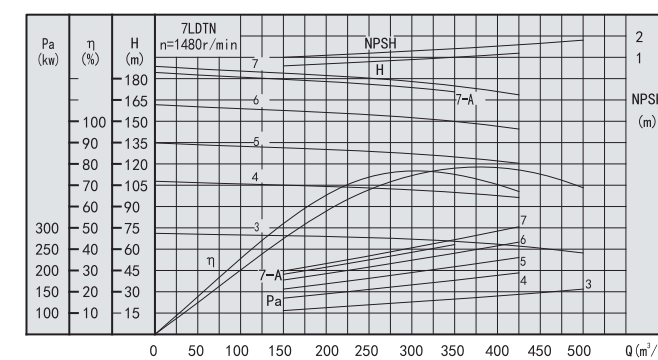
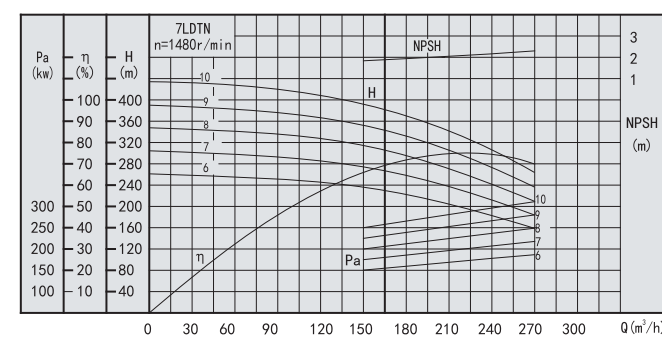
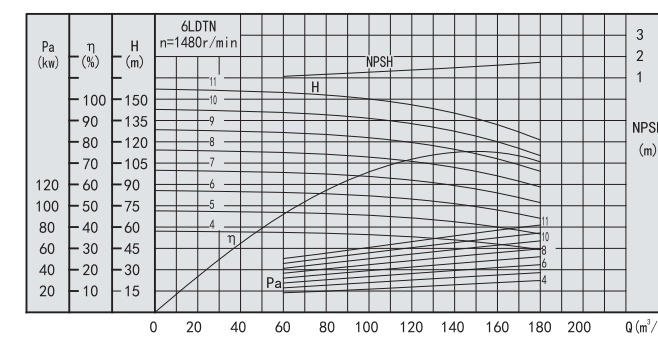
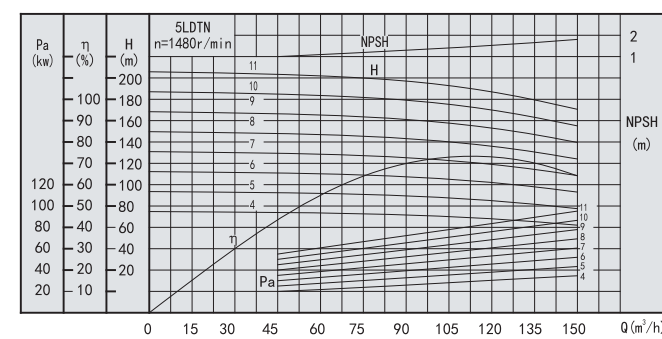
TTAAS-LDTN construction drawing(two)



1	Round barrel
2	Guide bearing
3	Suck-in flare
4	Seal ring
5	Impeller
6	Guide vane
7	Guide vane sleeve
8	Mid-section
9	Pull bar
10	Pump shaft
11	Nipple
12	Clasp type barrel clutch
13	Pump foundation
14	Balancing drum
15	Seal case
16	Motor stand
17	Packing
18	Packing gland
19	Bearing part
20	Motor
21	Elastic clutch
22	Drive shaft

TTAAS-Condensate Pump

Performance curve

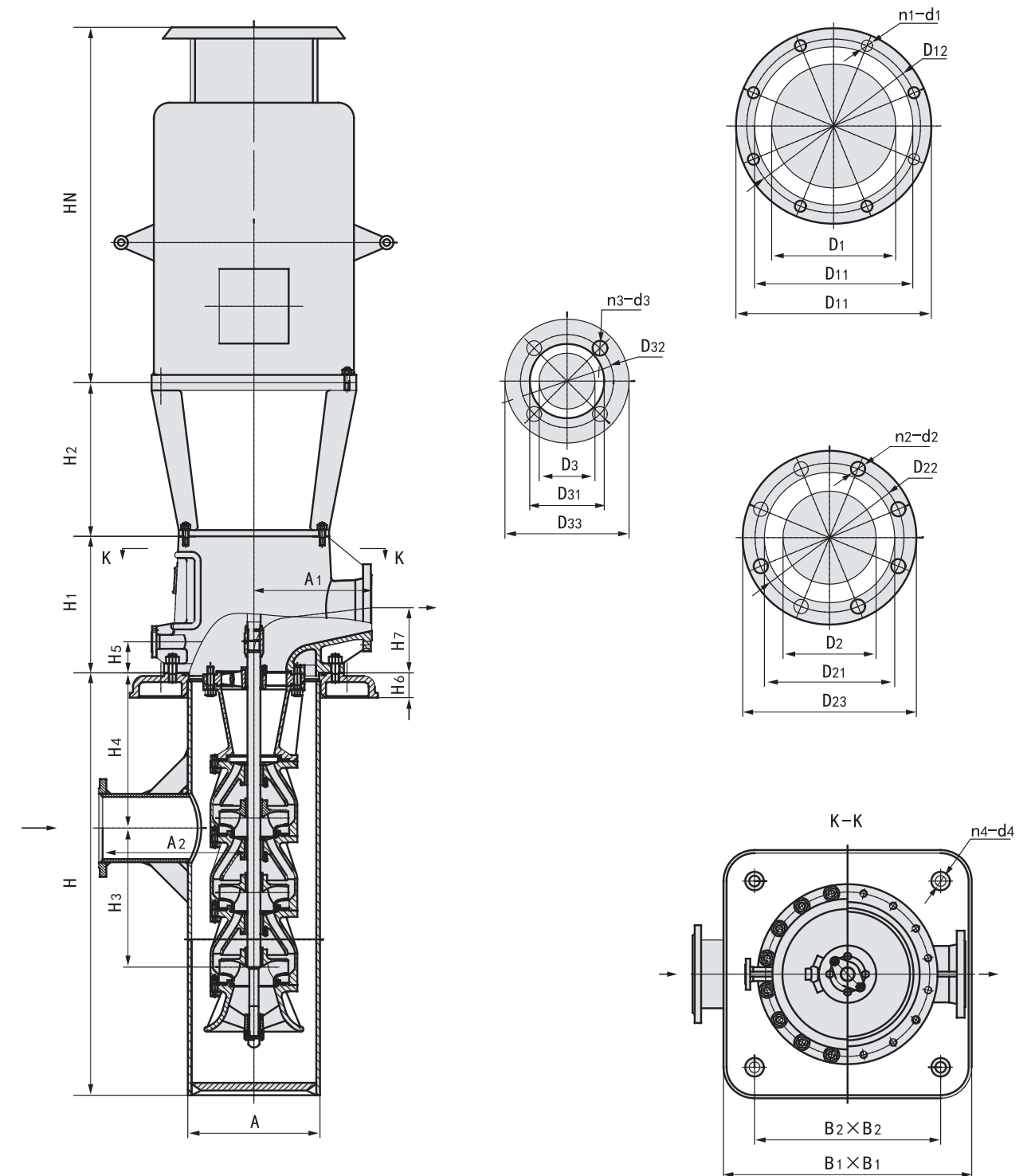


TTAAS-Condensate Pump

TTAAS-LDTN Performance table

Pump model	Capacity (m ³ /h)	Head (m)	Speed (rpm)	Eff. (%)	(NPSH) _r (m※)	Power (kW)	φD×H	Weight (t)	Remark
5LDTN-4	120	68	1480	73	1.5	55	φ456×3578	2.2	The price with symbol are based on centre of suction flange.
5LDTN-5	120	85	1480	73	1.5	55	φ456×3860	2.2	
5LDTN-6	120	102	1480	73	1.5	90	φ456×4277	2.2	
5LDTN-7	120	119	1480	73	1.5	90	φ456×4559	2.4	
5LDTN-8	120	136	1480	73	1.5	90	φ456×4841	2.4	
5LDTN-9	120	153	1480	73	1.5	90	φ456×5123	2.6	
5LDTN-10	120	170	1480	73	1.5	110	φ456×5625	2.6	
5LDTN-11	120	187	1480	73	1.5	110	φ456×5907	2.6	
6LDTN-4	160	48	1480	75	1.6	55	φ426×3411	2	
6LDTN-5	160	60	1480	75	1.6	55	φ426×3651	2	
6LDTN-6	160	72	1480	75	1.6	55	φ426×3891	2	
6LDTN-7	160	84	1480	75	1.6	55	φ426×4131	2.2	
6LDTN-8	160	96	1480	75	1.6	90	φ426×4506	2.2	
6LDTN-9	160	108	1480	75	1.6	90	φ426×4746	2.4	
6LDTN-10	160	120	1480	75	1.6	90	φ426×4986	2.4	
6LDTN-11	160	132	1480	75	1.6	90	φ426×5226	2.4	
7LDTN-3	410	63	1480	78	1.5	160	φ680×5696	5.5	
7LDTN-4	350	100	1480	75	1	220	φ680×5696	6.2	
7LDTN-5	350	125	1480	75	1	250	φ680×5696	6.2	
7LDTN-6	350	150	1480	75	1	250	φ680×5696	6.2	
7LDTN-7	350	175	1480	75	1	250	φ680×5696	6.2	
7LDTN-7-A	275	175	1480	76	1.5	250	φ680×5696	6.2	
7LDTNA-6	200	210	1480	75	2.0	250	φ780×4845	5.6	
7LDTNA-7	200	245	1480	75	2.0	250	φ780×4845	5.7	
7LDTNA-8	200	280	1480	75	2.0	250	φ780×4845	5.8	
7LDTNA-9	200	315	1480	75	2.0	315	φ780×4845	6.0	
7LDTNA-10	200	350	1480	75	2.0	315	φ780×4845	6.1	
8LDTN-2A	530	52	1485	71	1.11	160	φ830×7575	9	
8LDTN-3	360	86	1485	73	1.11	250	φ830×7575	10	
8LDTN-4	360	114	1485	75	1.11	315	φ830×7575	11	
8LDTN-5	360	142	1485	76	1.11	315	φ830×7575	11	
8LDTN-6Z	360	170	1485	76	1.11	400	φ830×7575	11	

Outling & installing dimensions drawing





Outling & installing dimensions table

TTAAS-LDTN

Model	H	H1	H2	H3	H4	H5	H6	H7	HN	A	A1	A2	Inlet flange				Outlet flange				Degassing flange			B1 × B1	B2 × B2	n4-d4	Footbolt M × L	Corollary motor										
													D1	D11	D12	D13	n1-d1	D2	D21	D22	D23	n2-d2	D3					D31	D32	D33	n3-d3	800 × 800	600 × 600	4-φ34	M30 × 650	Y250M-4	55	
5LDTN-4	1588	440	475	882					895																				Y250M-4	55								
5LDTN-5	1870	440	475	1164																																		
5LDTN-6	2152	440	475	1446																																		
5LDTN-7	2434	440	475	1728	500	100	80	210	1030	456	380	500	200	255	280	315	8-φ18	150	210	240	280	8-φ23	25	60	75	100	4-φ12	800 × 800	600 × 600	4-φ34	M30 × 650	Y280S-4	90	380				
5LDTN-8	2716	440	475	2010																																		
5LDTN-9	2998	440	475	2292																																		
5LDTN-10	3280	440	505	2574																																		
5LDTN-11	3562	440	505	2856					1220																													
6LDTN-4	1601	440	475	960																																		
6LDTN-5	1841	440	475	1200																																		
6LDTN-6	2081	440	475	1440																																		
6LDTN-7	2321	440	475	1680	500	100	80	210	1030	456	380	500	200	255	280	315	8-φ18	150	210	240	280	8-φ23	25	60	75	100	4-φ12	800 × 800	600 × 600	4-φ34	M30 × 650	Y250M-4	55	380				
6LDTN-8	2561	440	475	1920																																		
6LDTN-9	2801	440	475	2160																																		
6LDTN-10	3041	440	475	2400					1030																													
6LDTN-11	3281	440	475	2640																																		
7LDTN-3																																						
7LDTN-4																																						
7LDTN-5	3360	836		1765	1000	170	120	310	1500	680	520	600	350	412	445	485	12-φ23	250	332	370	425	12-φ30	50	90	110	140	4-φ14	1200 × 1200	950 × 950	4-φ48	M42 × 800	YL355-4	250	6000				
7LDTN-6																																						
7LDTN-7																																						
7LDTN-8	200	550	790	630	800	170	120	270	1500	780	680	750	250	309	335	375	12-φ18	200	278	320	375	12-φ26	40	78	100	130	4-φ14	1300 × 1300	1050 × 1050	4-φ48	M42 × 800	YL355-4	250	6000				
7LDTN-9																																						
7LDTN-10																																						
8LDTN-2A																																						
8LDTN-3	4175	942	300	2390	975	230	175	392	2120	830	800	650	450	532	565	615	20-φ25	300	390	430	485	16-φ30	50	100	125	160	4-φ18	1500 × 1500	1200 × 1200	4-φ48	M42 × 800	Y400L-4	315	6000				
8LDTN-4																																						
8LDTN-5																																						
8LDTN-6Z									2158																													

TORONTECH™

Torontech™ – North America
TEL: +1 (416) 368-2721
FAX: +1 (416) 981-7652
E-MAIL: sales@Torontech.com
WEB: www.Torontech.com

Please contact us for your nearest local office or distributor