

INNOVATIVE TECHNOLOGIES

Jaw Crusher

JC5



TORONTECH



TORONTECH



JAW CRUSHER

JC5

Introducing the **Jaw Crusher JC5**—where crushing efficiency meets unmatched performance.

Designed to efficiently and gently process medium-hard, hard, brittle, and tough samples. It features jaw plates made from six different materials, ensuring versatility. This product series offers excellent technical and safety performance, making it the ideal choice for laboratory sample preparation and industrial production needs.

Experience the pinnacle of crushing excellence with the Jaw Crusher JC5.

Feed Size:
<90mm

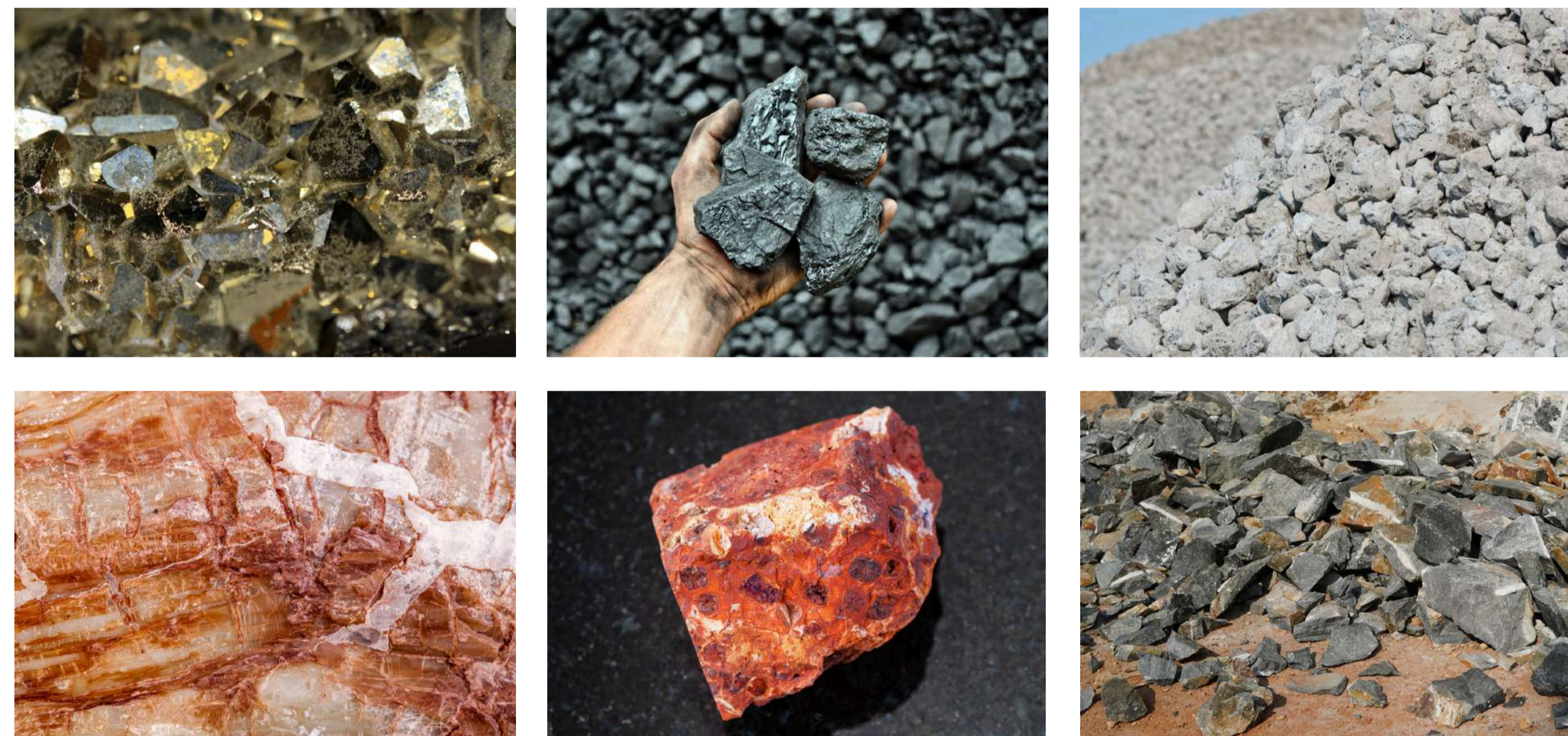
Final Fineness:
< 2mm

Speed:
305rpm

APPLICATION

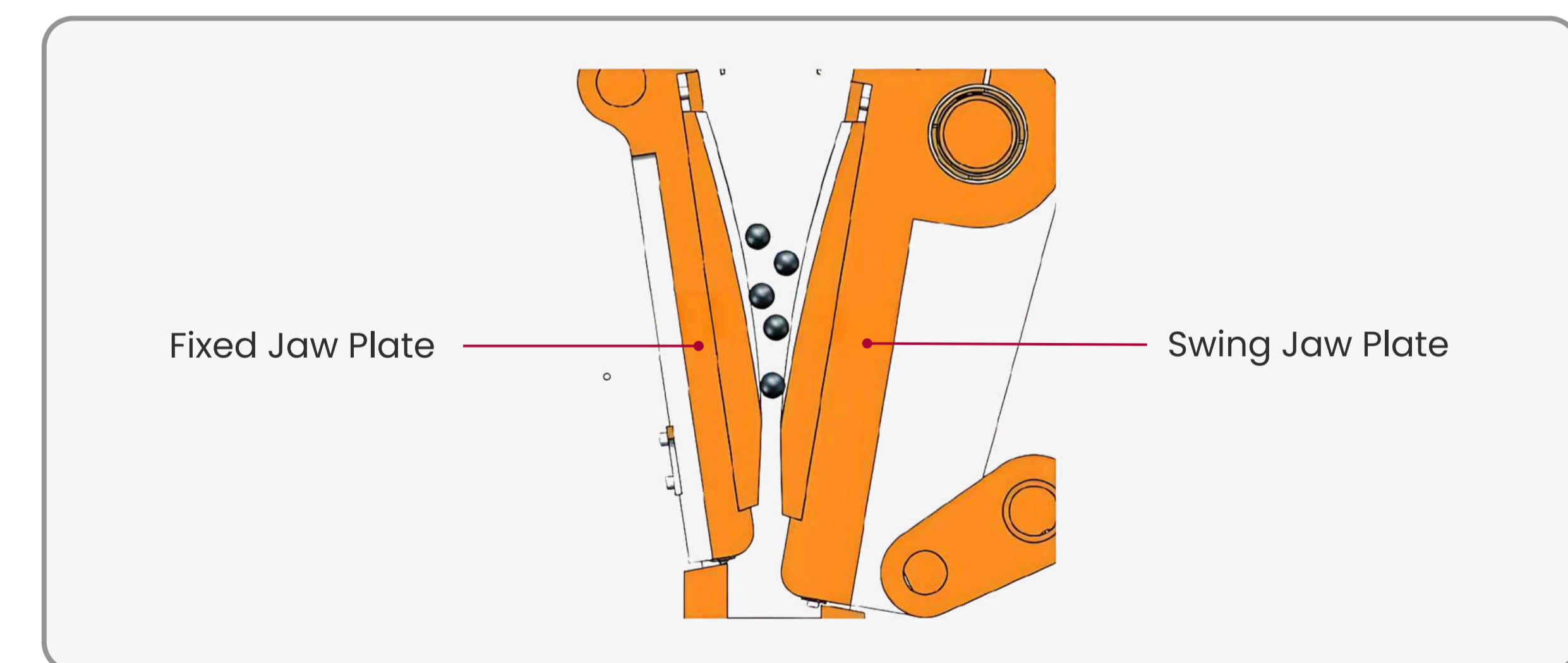
Sample Type

- **Mining and Metallurgical Sectors:** Niobium and titanium alloys, vanadium iron, chrome vanadium, tungsten carbide, ores, coal, slag, and coke.
- **Chemical Products:** Various raw materials used in the chemical industry.
- **Geological and Mineralogical Applications:** Rocks, granite, basalt, barite, silicate, and similar materials.
- **Ceramic Industry:** Talc, sintered clay, ceramics for sintering, and electric ceramics.
- **Building Materials:** Bauxite, slag bricks, quartz, and cement.



WORKING PRINCIPLE

The process initiates as the sample is guided into the grinding chamber via a specialized, anti-splashing hopper. Within this chamber, crushing unfolds within a distinct wedge-shaped space, delineated by two jaw plates. While one plate remains fixed, the other undergoes motion driven by a bent axle, engendering an oval trajectory owing to the motor's continuous rotation. Through this seamless interplay, the sample undergoes compression, facilitated by the rhythmic movement of the jaw plate, and naturally descends due to gravitational force. Should the sample's particle size surpass the lower opening gap between the jaw plates, it seamlessly funnels into a collection drawer positioned at the machine's base.



PRODUCT ADVANTAGES

➤ **User-Friendly Operation:**

The feed hopper of JC5 is easily tilted or removed for quick cleaning, while samples are conveniently collected in a drawer receiver for streamlined analysis.

➤ **Durability and Reliability:**

JC5 prioritizes safety with features like a feed hopper designed to prevent operator contact with the grinding chamber, a hopper baffle to prevent sample rebound, and a safety switch that prevents operation when the hopper is open. Overload protection mechanisms for both the motor and controller ensure safety during operation.

➤ **Environmentally-Friendly Design:**

JC5 jaw crushers feature a thoughtful dust protection design and dust discharge connectors to mitigate environmental pollution from dust particles. Operators can connect industrial dust collectors to these connectors for easy removal of dust particles inside the crusher.

TECHNICAL SPECIFICATION

ITEM	TECHNICAL PARAMETER
Feed size	<90mm
Final fineness	<2mm
Speed	305rpm
Collector capacity	5L
Jaw plate width	99mm
Gap setting	0~30mm
Zero point adjustment	Yes
Rated power	2.2KW
Power supply	380V, 50Hz
Instrument size (W*D*H)	440x 930x1090mm
Package size (W*D*H)	800×1165×1330mm
Net Weight	320kg


Member of
**(WORLD
of TEST)**™



TORONTECH

Phone: +1 416 368 2721 | Fax: +1 416 981 7652

Email: info@torontech.com

70 East Beaver Creek Rd., #9
Richmond Hill, Ontario L4B 3B2, Canada 



USA | Canada | UAE | GCC | Africa | Latin America | Asia

TORONTECH.com