

INNOVATIVE TECHNOLOGIES

# Vibratory Sieve Shaker

**SS2000**



TORONTECH





## Vibratory Sieve Shaker

### SS2000

Introducing the **Vibratory Sieve Shaker SS2000** from **Torontech**, meticulously engineered for precise bulk sieving of solid particles or powder samples.

Its electromagnetic drive system **ensures quick, consistent results for both dry and wet sieving tasks, with preset parameters for easy operation.** Quiet and maintenance-free, it's ideal for sieving sand, rocks, clay, granite, coal, soil, grains, seeds, and more.

Elevate your sieving efficiency with the SS2000 today!

Measuring Range:  
**20µm-25mm**

Amplitude Adjustment Range:  
**0.2 to 3.0mm**

Max. Feed Capacity:  
**3kg**

## PRODCUT ADVANTAGES

### **Versatile Operation:**

Suitable for both dry and wet sieving, with an option for intermittent mode.

### **Maintenance-Free Operation:**

Low noise and requires no maintenance.

### **Precise Sieving:**

Employs unique 3D motion sieving for high accuracy and reliable, repeatable results.

### **User-Friendly Interface:**

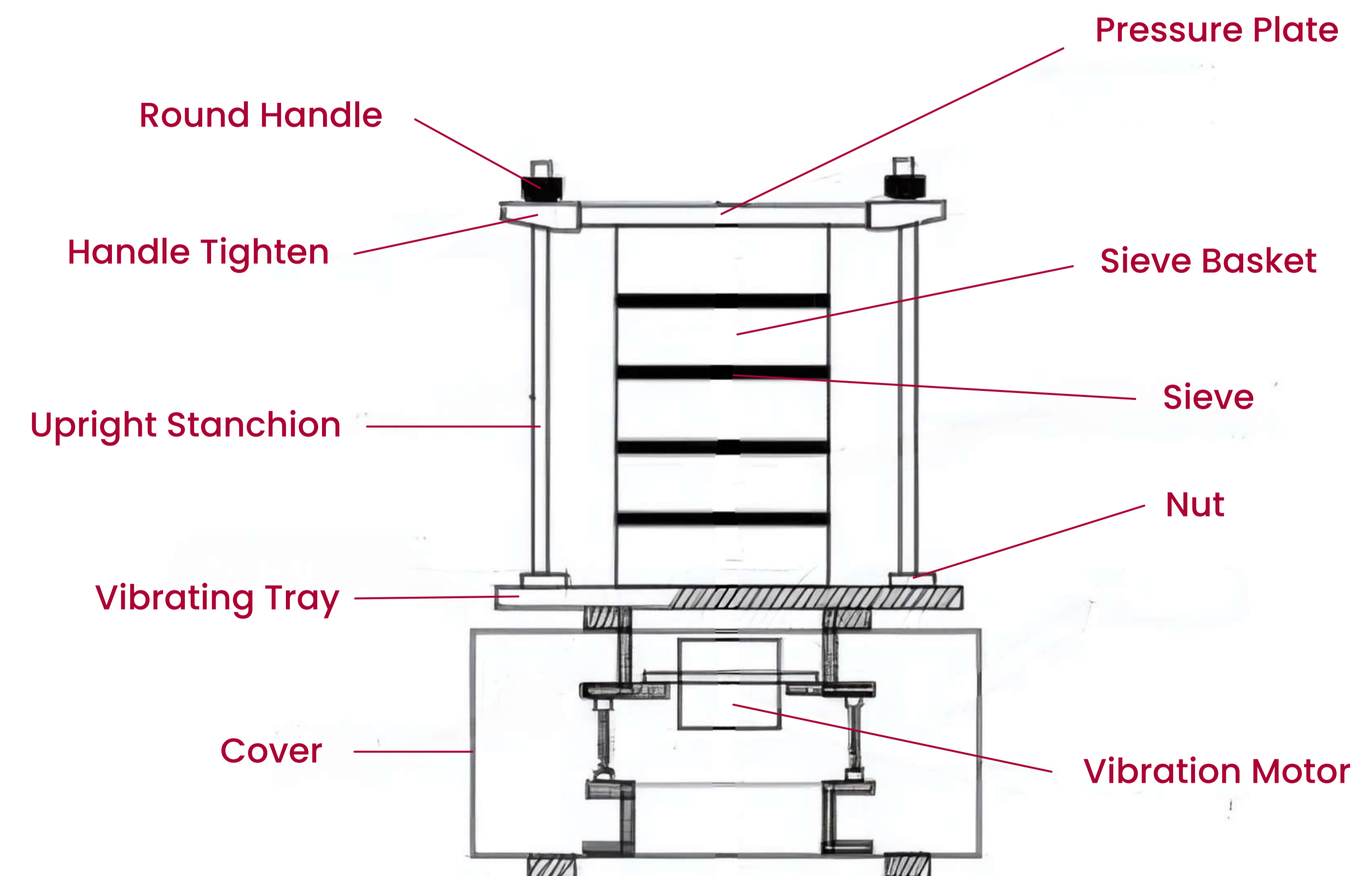
Equipped with a 5-inch LED touch screen for easy operation and digital settings.

### **Enhanced Control and Analysis:**

Can be connected to a computer for control and data processing through screening software.

## WORKING PRINCIPLE

The Vibratory Sieve Shaker SS2000 operates on an innovative electromagnetic drive system. This unique design generates a three-dimensional motion, effectively distributing samples evenly across the sieve surface. Intermittent vibrations further optimize the sieving process, preventing any obstruction of sieve openings and ensuring seamless operation.



## TECHNICAL SPECIFICATIONS

NAME	FUNCTION
Measuring range	20μm-25mm
Amplitude adjustment range	0.2-3.0mm
Time setting	01~99min
Interval operation adjustment range	00~99s
Drive / sieving mode	Electromagnetic Drive
Max. number of fractions	9/17
Sieve diameters	100/150/200/203mm (8")
Parameter combinations that can be stored	9
Max. feed capacity	3kg




Member of  
**(WORLD  
of TEST)**™



**TORONTECH**

Phone: +1 416 368 2721 | Fax: +1 416 981 7652

Email: [info@torontech.com](mailto:info@torontech.com)

70 East Beaver Creek Rd., #9  
Richmond Hill, Ontario L4B 3B2, Canada 



USA | Canada | UAE | GCC | Africa | Latin America | Asia

**TORONTECH.com**